

Alpena Community College

Manufacturing Boot Camp

June 20-24, 2016

ACC is thrilled to offer a special **FREE** week-long *Manufacturing Boot Camp*.

Participants will be immersed in advanced manufacturing processes and obtain job readiness skills. Highlights of the boot camp include:

- ❑ Design and manufacture a product from start to finish that you get to take home
- ❑ Computer Aided Design
- ❑ Welding
- ❑ Computer Aided Manufacturing
- ❑ Finishing and Inspection
- ❑ Local Manufacturing Plant Tours
- ❑ Guest Speakers
- ❑ Job search, job readiness, interview opportunities with local manufacturing companies

Course inquiries may call 989.358.7293

Accepted participants will receive additional informational materials prior to camp date.

This workforce product was funded by a grant awarded by the U.S. Department of Labor's Employment and training administration. The product was created by the grantee and does not necessarily reflect the official position of the U.S. Department of Labor. The U.S. Department of Labor makes no guarantees, warranties, or assurances of any kind, express or implied, with respect to such information, including any information on linked sites and including but not limited to, accuracy of the information or its completeness, timeliness, usefulness, adequacy, continued availability, or ownership.

Apply via email (Kamyszek@alpenacc.edu)

Registration inquiries may call 989.358.7296

Space is limited to 12 participants so register TODAY!

Must be 18 years old by June 20, 2016

Camp is June 20th-24th, 2016

- 8:30 am to 4:00 pm

Alpena Community College Main Campus

Besser Technical Center

665 Johnson Street

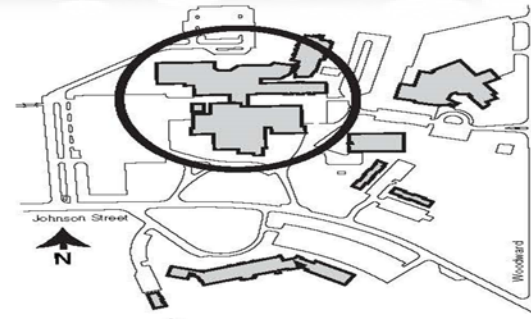
Alpena, Michigan 49707





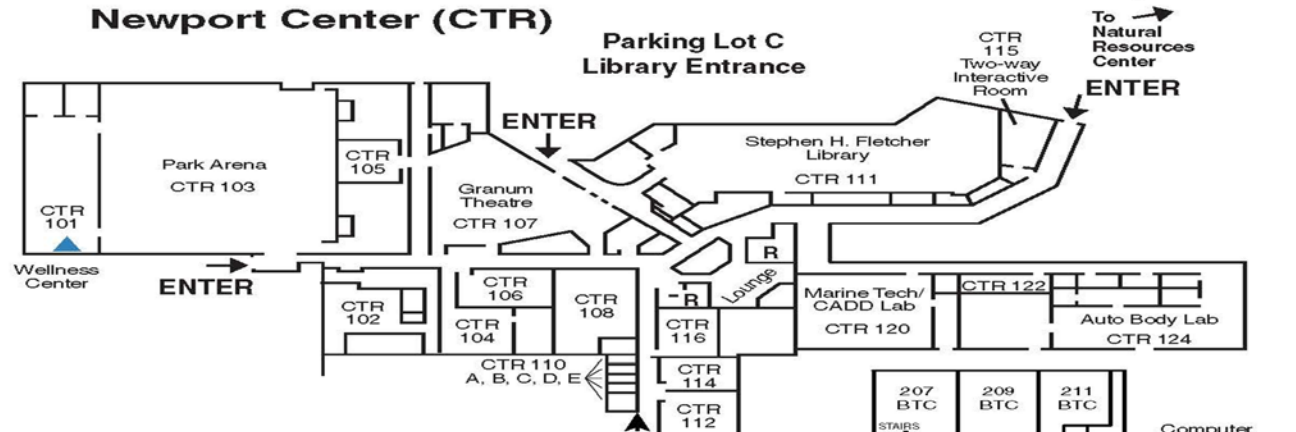
665 Johnson Street
 Alpena, MI 49707-1495
 1-888-468-6222
 www.alpenacc.edu

R = Restroom
 ▲ = Automated External Defibrillator

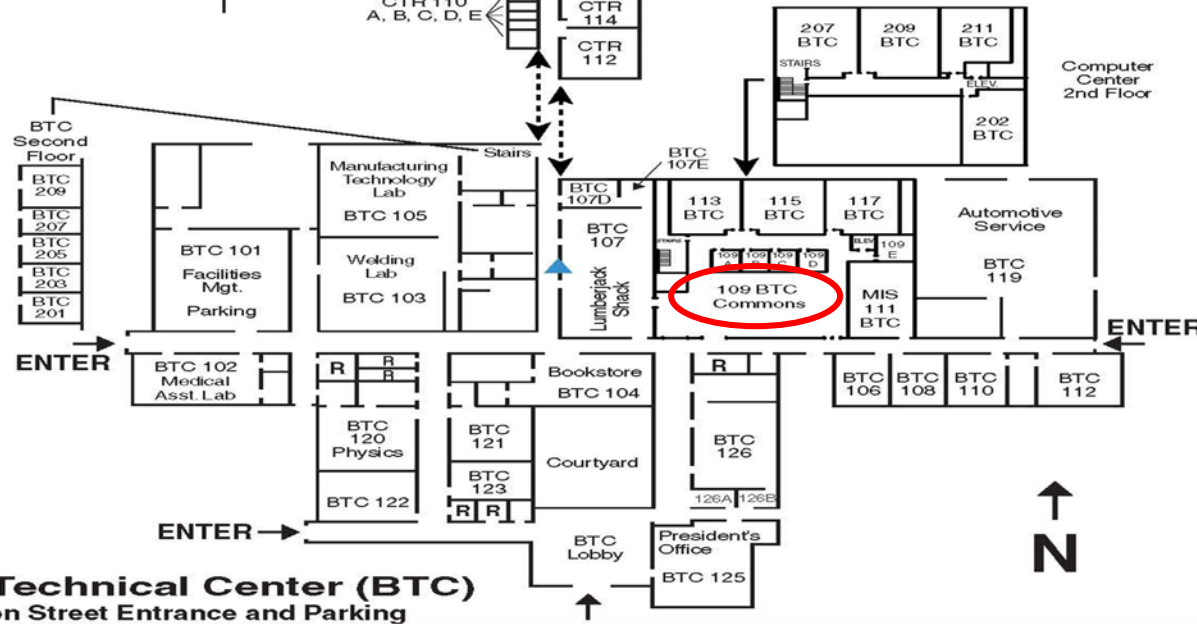


Newport Center (CTR)

**Parking Lot C
 Library Entrance**



Parking Lot B



Besser Technical Center (BTC)
 Johnson Street Entrance and Parking

